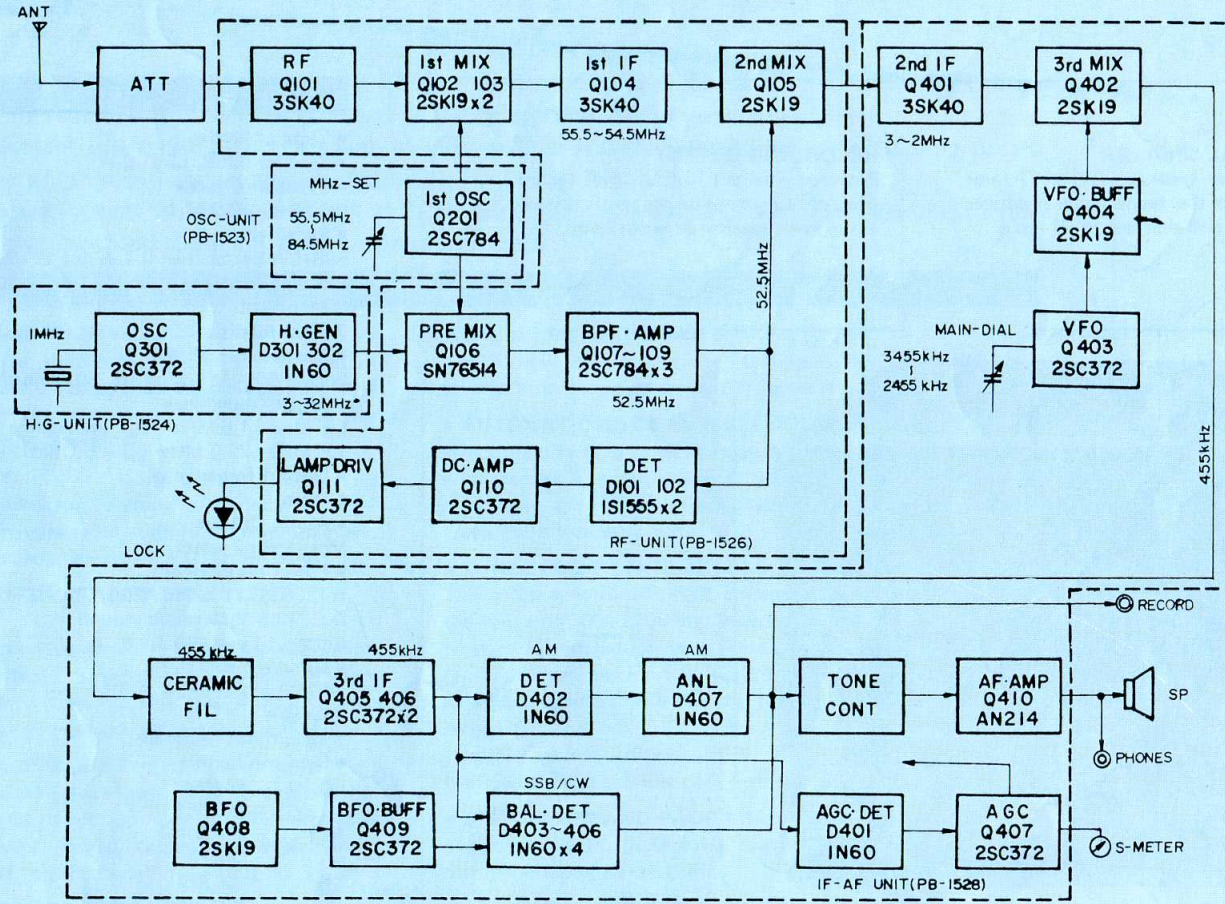


FRG-7 COMMUNICATIONS RECEIVER



BLOCK DIAGRAM



YAESU MUSEN CO., LTD.
C.P.O. BOX 1500, TOKYO, JAPAN

YAESU ELECTRONIC CORPORATION
P.O. BOX 498,
PARAMOUNT, CALIFORNIA 90723

Printed in Japan

■ **PRESELECTOR**

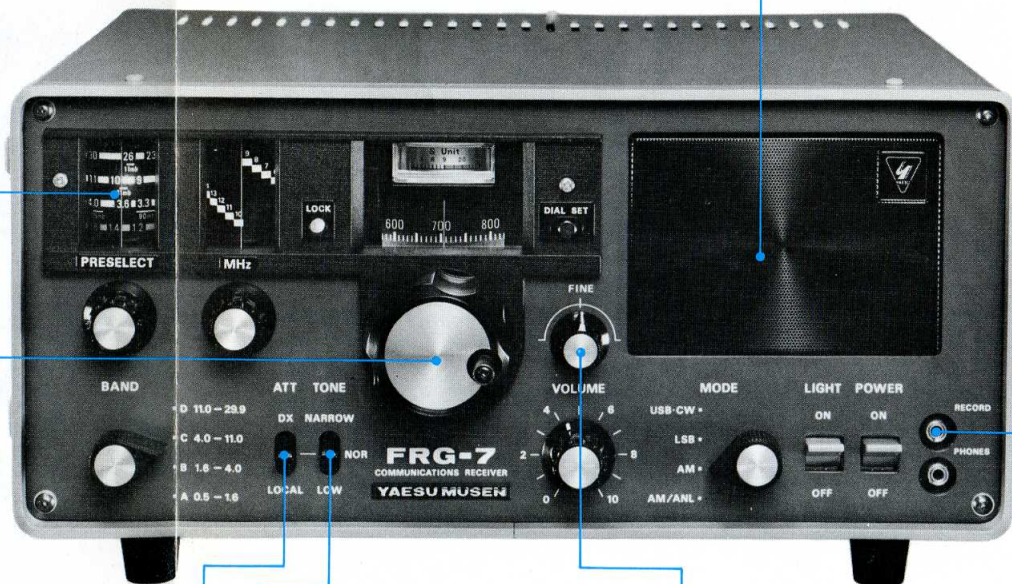
The preselector control tunes the antenna and R.F. circuits of the receiver front-end. The scale of this dial is calibrated with the frequencies showing the correct setting for the various bands. It should be fine-tuned for best reception.

■ **ELLIPTICAL SPEAKER**

The elliptical speaker (125 x 77 mm) mounted on the front panel produces the clearest and sharpest tonal range.

■ **RECORDING OUTPUT**

Provides constant output level regardless of the volume control setting, either with speaker or headphone.



■ **MAIN TUNING**

The main tuning dial determines the receiving frequency. The stable VFO combined with precision dial mechanism permits 5 kHz direct dial readout. Presetting the dial on the desired frequency allows you to stand-by for anticipated stations to come in.

■ **TONE SELECTOR**

Proper selection of the switch position will reduce noise level and increase readability.

■ **R.F. ATTENUATOR**

It is effective in reception of local or high powered stations.

■ **FINE TUNING**

The FINE TUNING control is used for precise tuning of the received signal. The main tuning dial is calibrated to the frequency with the fine control at centre.

